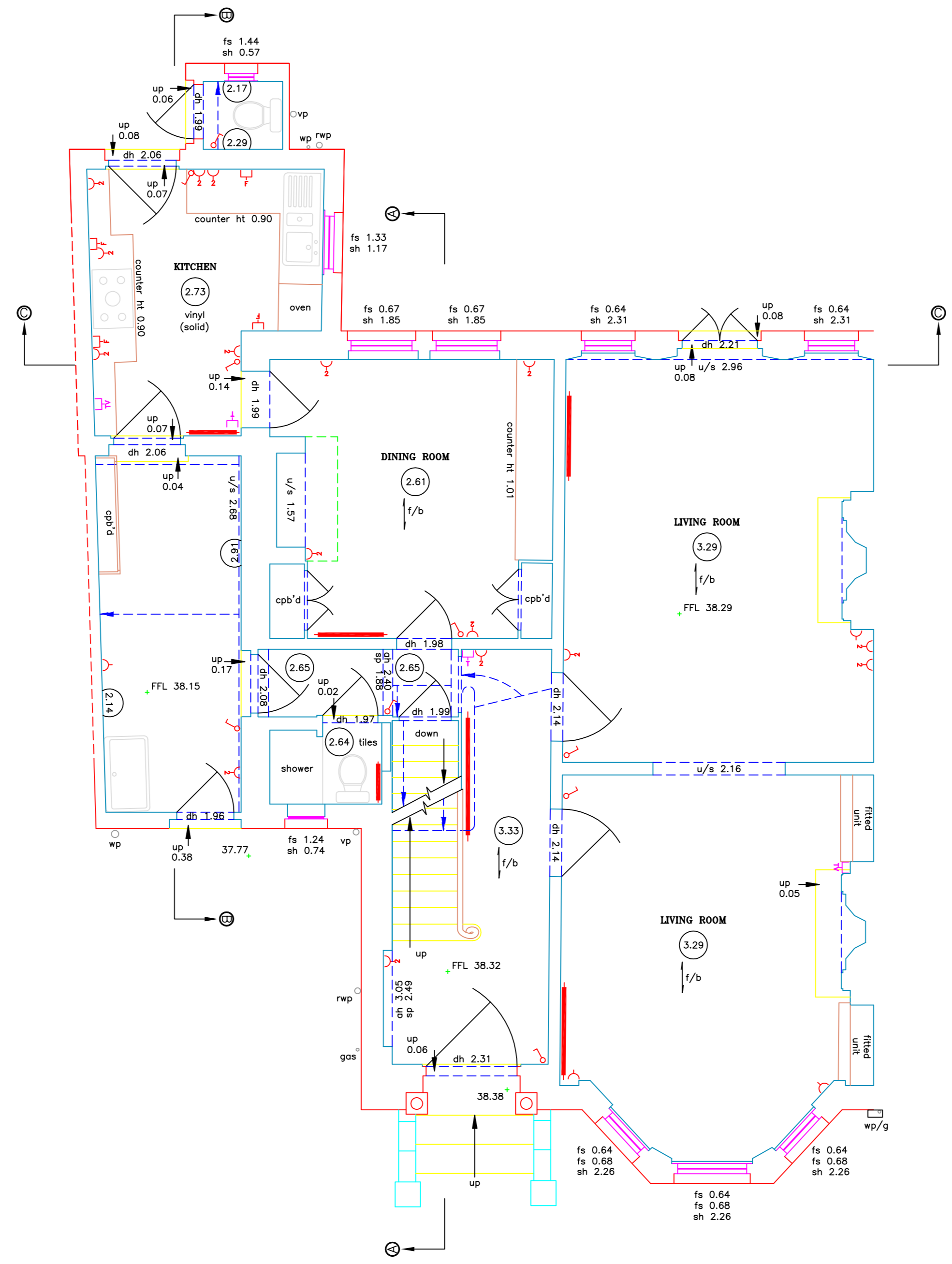
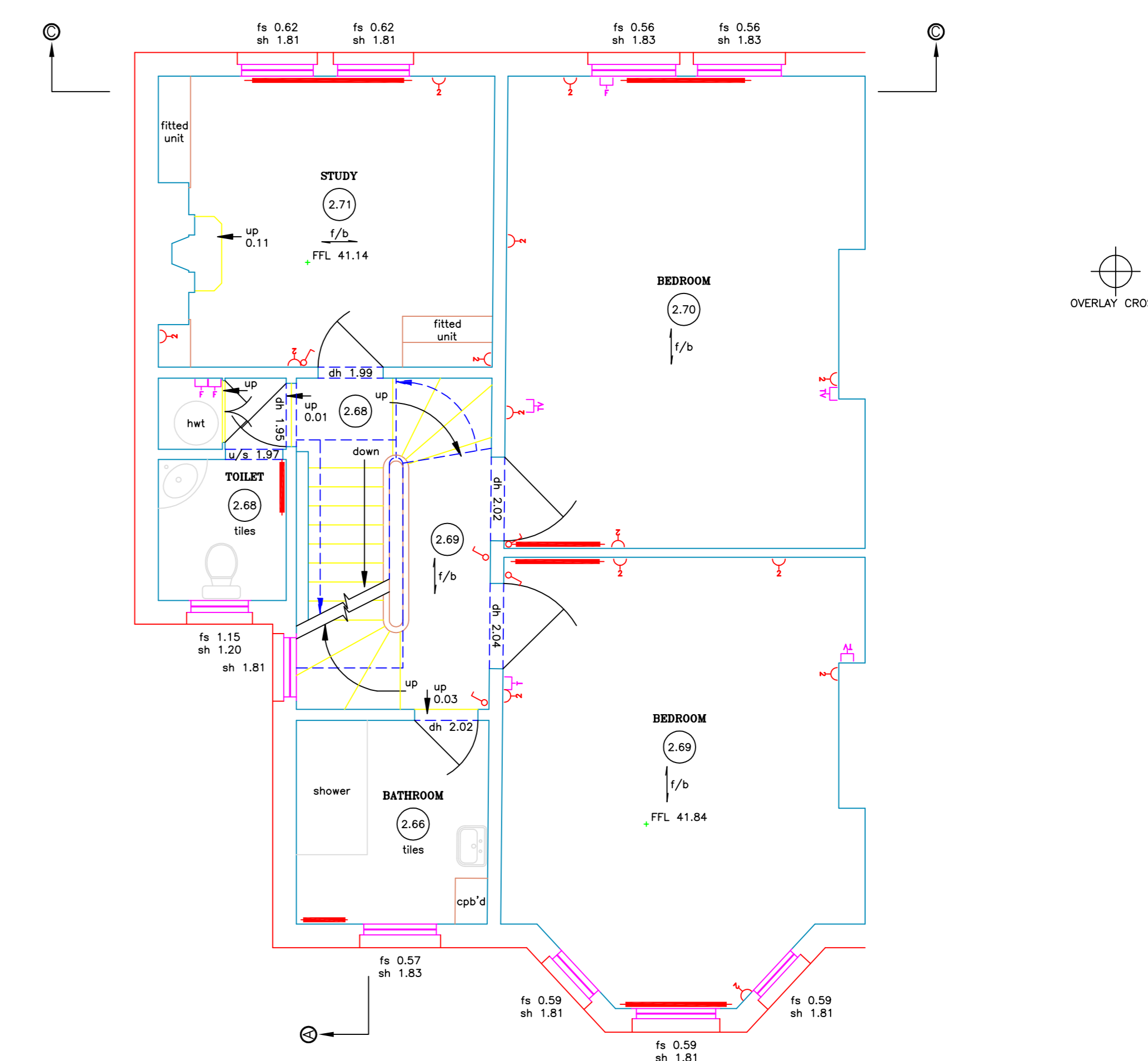


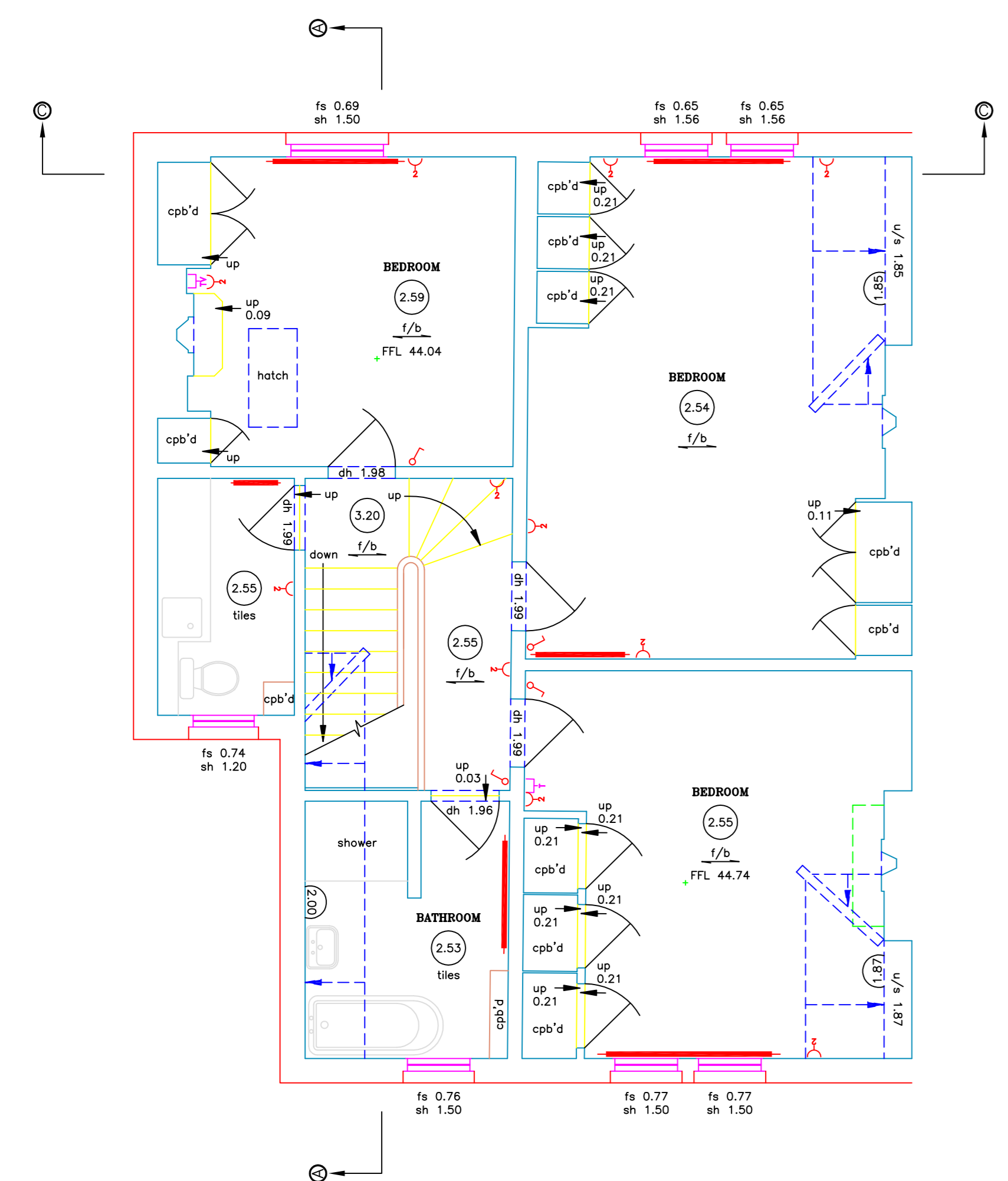
BASEMENT FLOOR PLAN



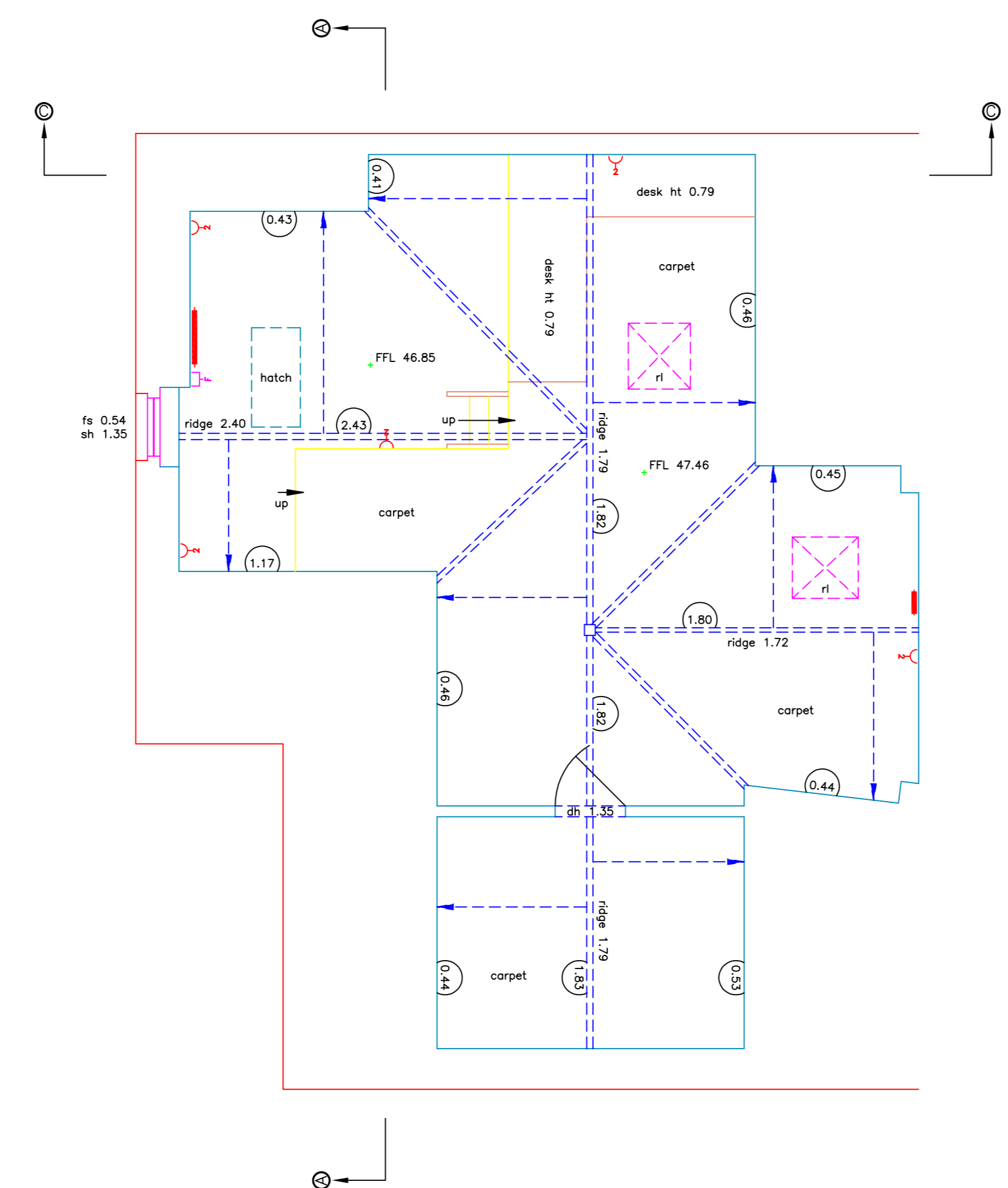
GROUND FLOOR PLAN



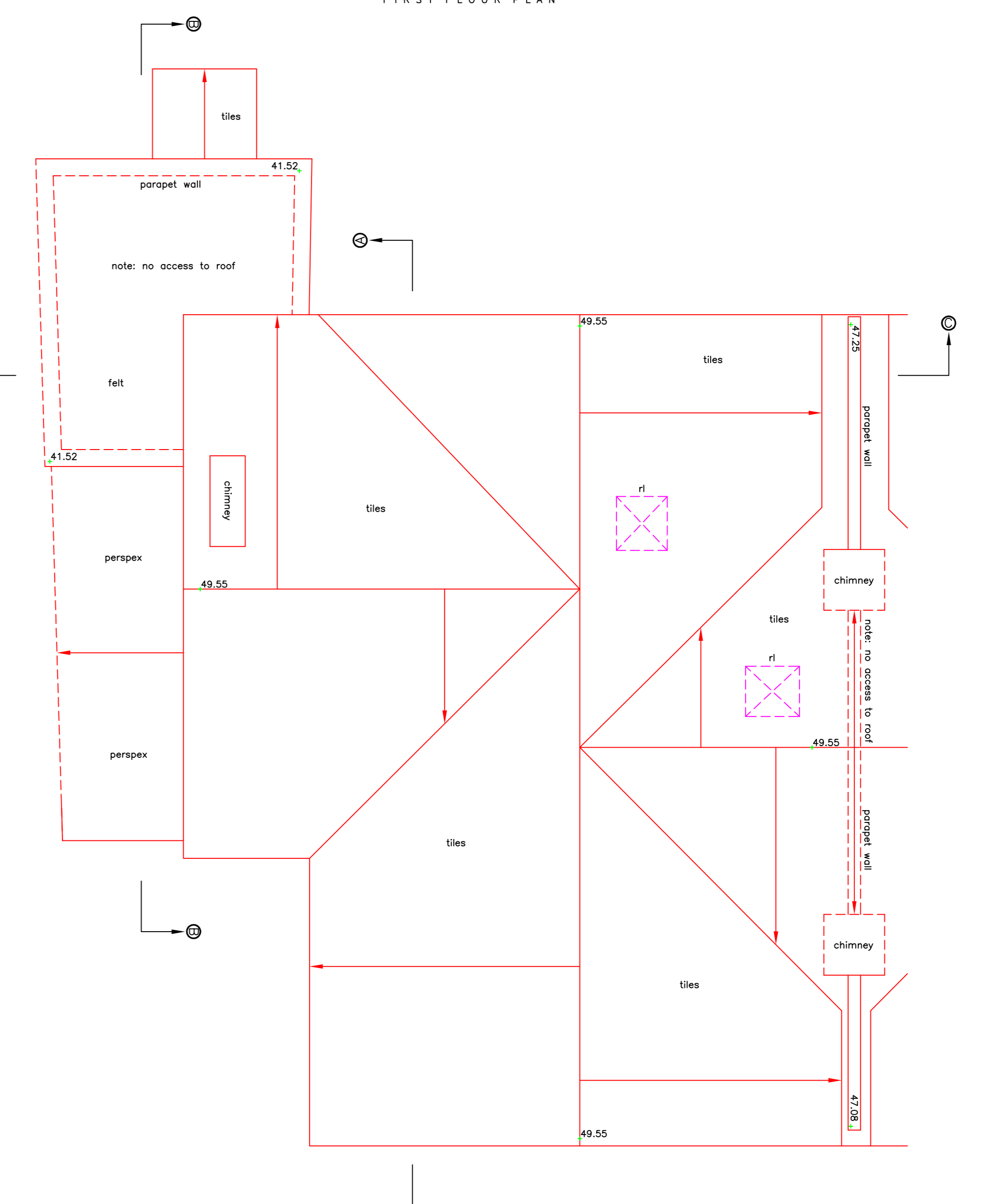
FIRST FLOOR PLAN



SECOND FLOOR PLAN



LOFT FLOOR PLAN



ROOF PLAN



NOTES
 ALL LEVELS ARE IN METRES RELATED TO AN ASSUMED DATUM LOCATED ON MANHOLE COVER IN ROAD AS SHOWN (VALUE: 100.00m).
 THE COORDINATE GRID IS BASED ON ASSUMED VALUES.
 OVERHEAD CABLES WILL BE SHOWN INDICATIVELY AND ARE SUBJECT TO SEASONAL VARIATION. THESE WILL BE MEASURED USING REMOTE METHODS.
 TREE SPECIES SHOULD ALWAYS BE CONFIRMED BY A TREE SPECIALIST.
 SERVICE COVERS WILL BE LIFTED AND DETAIL SHOWN WHERE POSSIBLE. ALL INFORMATION WILL BE TAKEN FROM SURFACE LEVEL ONLY.
 DAMAGED COVERS OR THOSE WITHIN HIGHWAYS WILL NOT BE LIFTED. INFORMATION MAY BE OMITTED DUE TO OBSTRUCTIONS AT TIME OF SURVEY.

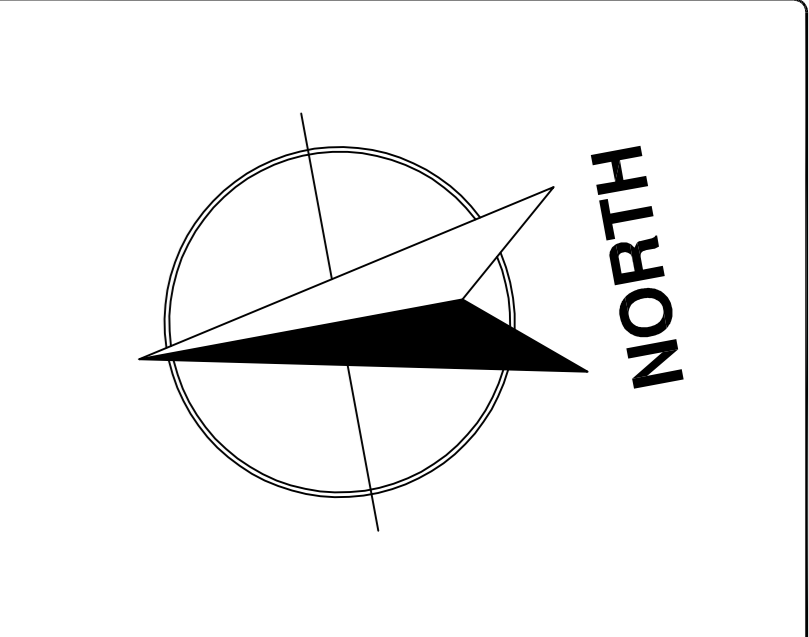
LEGEND

TOPOGRAPHICAL SURVEY KEY:

BM	ORIGNAL SURVEY BENCH MARK	FW	FIRE WORKS
FL	FINISHED FLOOR LEVEL	FT	FIXED TELEPHONE
HL	OVERHEAD LINE	GT	GRASS
IC	INSULATION COVER	CO	CONCRETE
IP	INSULATION PIPE	CR	CURB
W	WATER LEVEL	FB	FLAGSTONE
SL	SOIL LEVEL	BT	BUSH
WC	WATER CISTERN	TR	TERRACE
WCN	WATER CISTERN COVER	TRP	TERRACE PAVING
WCW	WATER CISTERN COVER	TRP	TERRACE PAVING
WCW	WATER CISTERN COVER	TRP	TERRACE PAVING
WCW	WATER CISTERN COVER	TRP	TERRACE PAVING
WCW	WATER CISTERN COVER	TRP	TERRACE PAVING

MEASURED BUILDING SURVEY KEY:

RM	ROOM HEIGHT	SW	switch
SC	ROOF SLOPE (DOWN)	DO	double switch
SL	SELF STORAGE	DS	double socket
SL	SELF STORAGE	DS	double socket
SL	SELF STORAGE	DS	double socket
SL	SELF STORAGE	DS	double socket
SL	SELF STORAGE	DS	double socket



STATION COORDINATES

STATION	EASTINGS	NORTHINGS	LEVEL	REMARKS

REVISIONS

Revision	Date	Remarks

target surveys

SITE: XXXXXXXXXXXXXXXXXXXXXXXXXXXX
 CLIENT: XXXXXXXXXXXXXXXXXXXXXXXXXXXX
 REF: XXXXXXXX DATE: XXXXXX
 SCALE: 1:500@D SURVEYOR: XXXXXX

COMPANY NUMBER: 7546319 © COPYRIGHT TARGET SURVEYS LIMITED
 REGISTERED OFFICE: 5 CLARENDON PLACE, LEAMINGTON SPA, WARWICKSHIRE CV32 5QL
 PHONE: 01926 313419 WEBSITE: www.target-surveys.co.uk EMAIL: info@target-surveys.co.uk